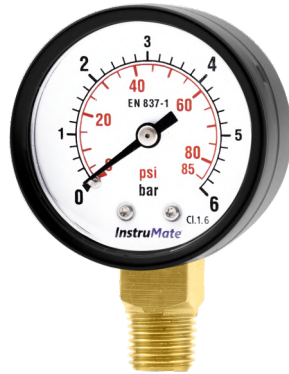
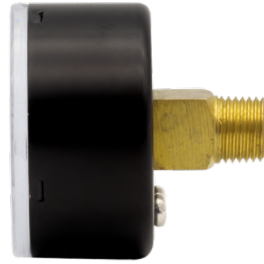




111CFL50



111CEL50



111CFB50



111CEB40

### Application

- ✓ Gas and liquids
- ✓ Pneumatics
- ✓ HVAC
- ✓ Medical machineries
- ✓ General purpose machineries
- ✗ Do not use directly for medias that are viscous, crystallizing and corroding copper alloy

### Special Features

- ✓ Full brass socket made from brass bar (heavier in weight and strong connection)
- ✓ Cost efficient choice and reliable mechanism
- ✓ Special window material: scratch-resistant, break-resistant
- ✓ Indicated accuracy is guaranteed

### Description

InstruMate group of dry pressure gauges covers a series of dry pressure gauges used as utility and cost effective solutions. InstruMate utility manometers benefit from the bourdon tube measuring system. InstruMate production process assures enough attention even for the most cost effective gauges.

InstruMate dry pressure gauges find their application when there is a need to measure gas, water, oil or any medium not corrosive to brass and copper alloys.

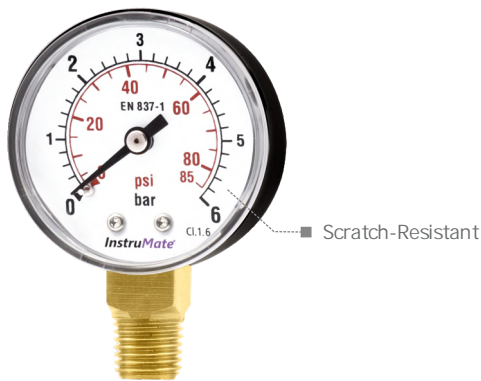
The model 111CF is constructed from a black steel case with a snap-in lens which is both scratch-resistant and break-resistant.

All InstruMate pressure gauges have geometrically balanced dial designs, thus a much easier reading experience.

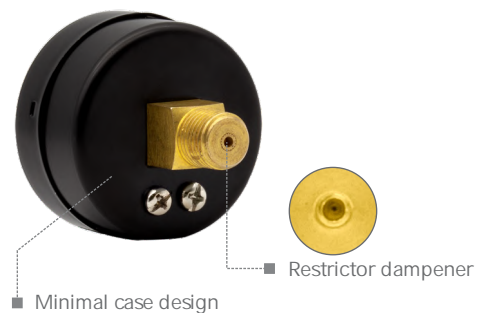
## Default Specification

Design	Nominal sizes in mm
EN 837-1	40, 50, 63, 100
Process Connection	
Brass NS 40: G / NS 50, 63: G / NS 100: G /	Bottom connection: 111CFL Center back connection: 111CFB
Temperature Effect	Pressure Limitations
$\pm 0.04 \times (t_2 - t_1)$ % of the span $t_1$ is the Reference temperature in degrees celsius. $t_2$ is the Ambient temperature in degrees celsius.	Steady: 75% of full scale Fluctuating: 65% of full scale Over-Pressure: 100% of full scale
Scale Range	Permissible Temperature
0...1 bar to 400 bar Vacuum & compound ranges	Ambient: -20...+60 °C Medium: +65 °C Maximum
Accuracy	Pressure Element
NS 40: 2.5% of full scale NS 50, 63, 100: 1.6% of full scale	Copper alloy C-type for ≤60bar Helical for >60bar
Pressure units	Pointer
bar/psi	Aluminum, Black
Window	Dial
Snap-in Lens, Scratch-Resistant	Aluminum
Case	Movement
Black steel (Electrostatic)	Plated steel

111CFL50



111CEB40



Options

- ✓ Other pressure units
- ✓ Requested dial design
- ✓ Requested process connections other than stated in the table

Variation



111CFL50



111CEL50



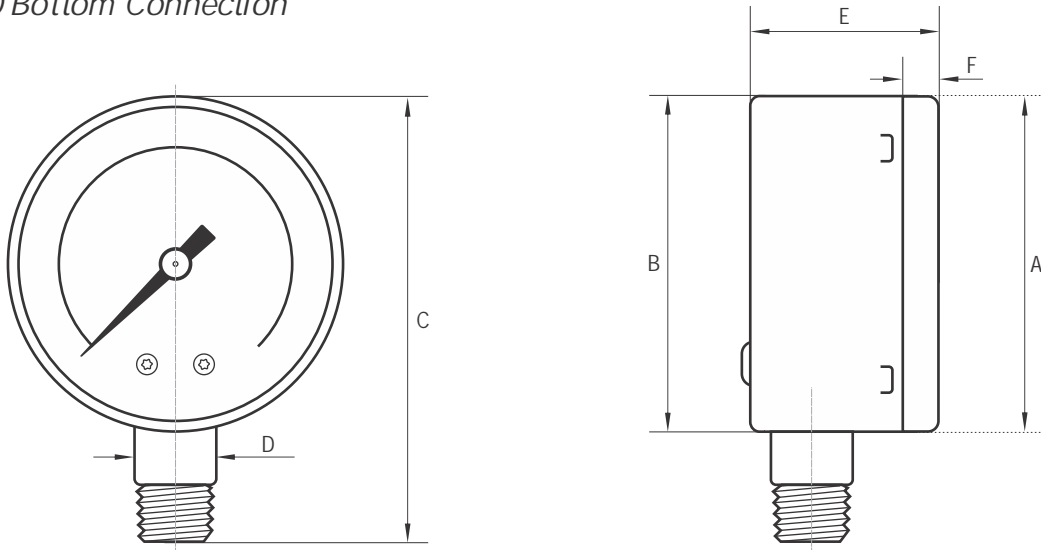
111CFB40



111CEB40

## Dimensions (in mm)

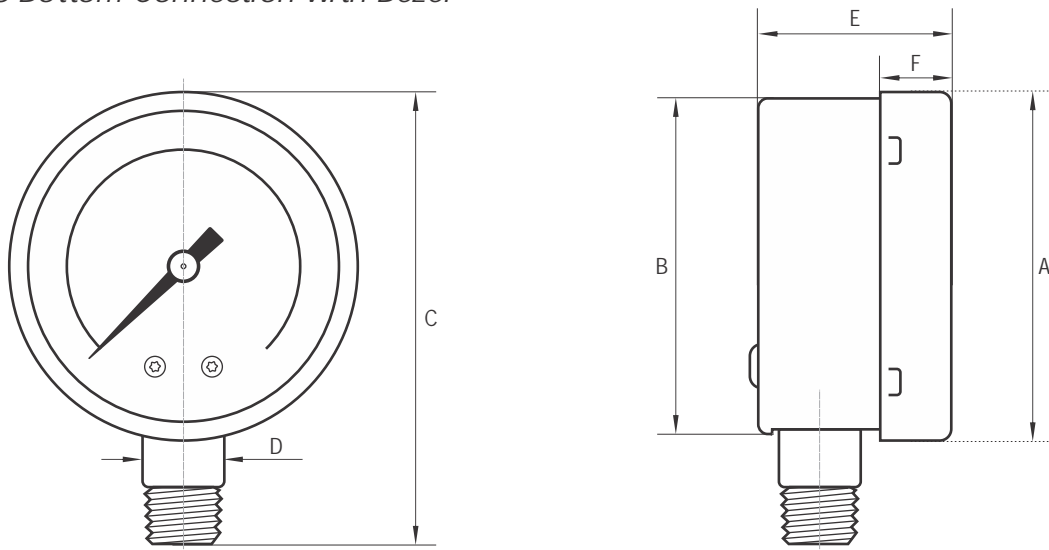
### ■ DS 40, 50 Bottom Connection



111CFL

Nominal Size	A	B	C	D	E	F	KG
40	41.5	41.5	61	11	25	3	0.055
50	49.6	49.6	71	14	28.5	3.5	0.09

### ■ DS 40, 50 Bottom Connection with Bezel

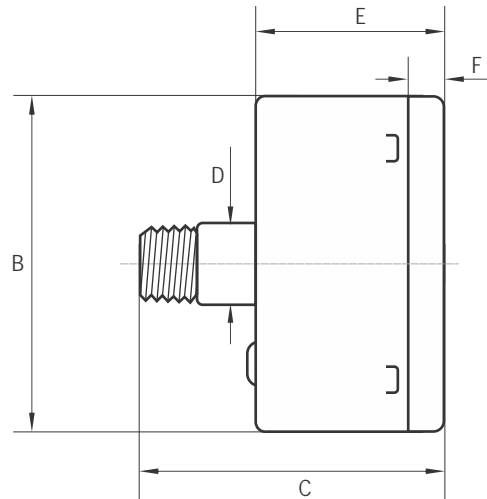
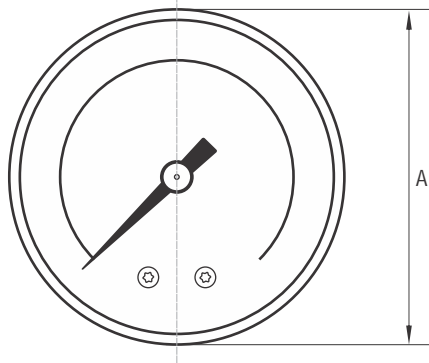


111CEL

Nominal Size	A	B	C	D	E	F	KG
40	43	41.5	60.5	11	27.5	10.5	0.061
50	51	49.6	71.4	14	29	12	0.097

Dimensions (in mm)

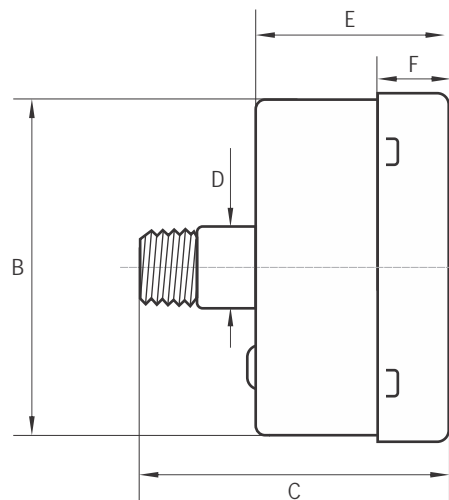
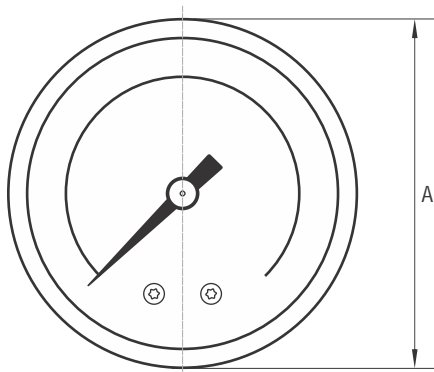
■ DS 40, 50 Center Back Connection



111CFB

Nominal Size	A	B	C	D	E	F	KG
40	41.5	41.5	42.5	11	26	3	0.061
50	49.6	49.6	51	14	28	3.5	0.1

■ DS 40, 50 Center Back Connection with bezel



111CEB

Nominal Size	A	B	C	D	E	F	KG
40	43	41.5	43	11	26.4	10	0.067
50	51	49.6	51.5	14	28.5	12	0.106

Thread Type	Code
NPT	N
BSPP (G)	B
BSPT	Z
Metric	M

Thread Size	Code
1/2	2
1/4	4
1/8	8
for metric sizes write the number	M12×1.5

## How To Order

Product Group Name	Model	Mounting	Nominal Size	Thread Type	Thread size	Scale Range	Options
<i>Example:</i> Dry pressure gauge	111CF	B	50	B	4	0...10bar-psi	–

Or simply order by item number on the basis of your previous purchases.

# InstruMate®

InstruMate Co, Limited

[www.instrumate.com](http://www.instrumate.com) | [info@instrumate.com](mailto:info@instrumate.com)