



112ABB63



112ABL63



112ABL100

Application

- ✓ Hydraulic systems, pumps and presses
- ✓ Measuring needs with sudden or dynamic pressure changes
- ✓ Vibrating machineries, diesel engines
- ✗ Do not use directly for medias that are viscous, crystallizing and corroding copper alloy.

Special Features

- ✓ Re-calibratable and re-adjustable
- ✓ Reasonable price for a distinguished quality
- ✓ No leakage guaranteed
- ✓ High quality spare parts

Description

InstruMate group of oil filled pressure gauges covers a series of oil-filled pressure gauges efficient for plants or machineries with pulsating pressures or mechanical vibrations. As sensitive a pressure gauge as might be, vibration threatens its long life span and that is the time InstruMate 112 series come into action.

Shocks will not be a serious problem when InstruMate 112AB is responsible for damping their effect.

Since oil filled pressure gauges have a copper alloy connection, considerations about their corrosion and clogging is recommended.

The model 112AB is constructed from a matte stainless steel case with an outside bayonet bezel. This model has a very strong design. This manometer with special design of case allows you easy panel installation by clamps.

All InstruMate pressure gauges have geometrically balanced dial designs, thus a much easier reading experience.

Default Specification

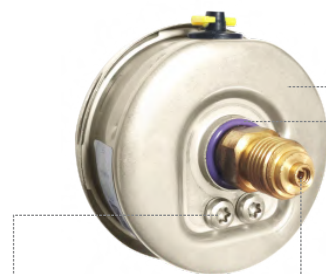
Design	Nominal sizes in mm
EN 837-1	63, 100
Process Connection	
Brass NS 63: G ¼ (bottom connection and center back connection)	NS 100: G ½ Bottom connection: 112ABL Center back connection: 112ABB
Temperature Effect	Pressure Limitations
$\pm 0.04 \times (t_2 - t_1)$ % of the span t_1 is the Reference temperature in degrees celsius. t_2 is the Ambient temperature in degrees celsius.	Steady: 75% of full scale Fluctuating: 65% of full scale Over-Pressure: 100% of full scale
Scale Range	Permissible Temperature
NS 63: 0...1 bar to 700 bar NS 100: 0...0.6 bar to 700 bar Vacuum & compound ranges	Ambient: -20...+60 °C Medium: +65 °C Maximum
Pointer	Pressure Element
Aluminum, Black Micro-adjustable pointer for 100mm	Copper alloy C-type for ≤ 60 bar Helical for > 60 bar
Filling oil	
Glycerin	
Pressure units	Accuracy
bar/psi	1.6% of full scale
Window	Dial
Instrument Glass	Aluminum
Case	Movement
Matte SS304 (Outside bayonet)	Copper alloy

112ABL63



Unique outside bayonet bezel

112ABB63



SS304 screws to hold inside mechanism

0.8 mm Thickness
Instru-Seal to guarantee leakproofness



Restrictor dampener screw



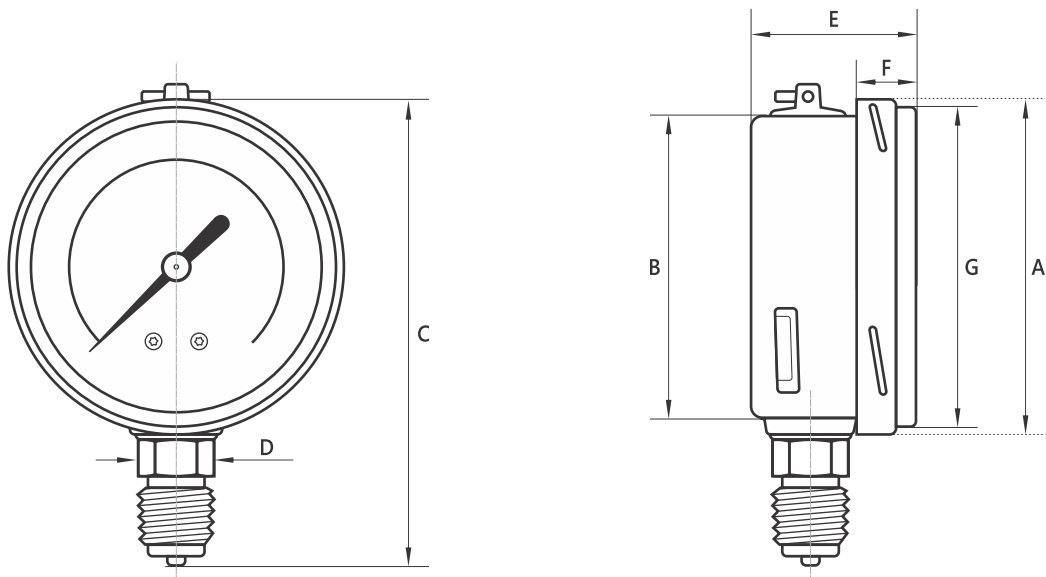
Open/Close oil cap for air compensation in pressure ranges $\leq 0...16$ bar

Options

- ✓ Silicon oil or not filled with oil
- ✓ Dial design as per request
- ✓ Requested process connections other than stated in the table

Dimensions (in mm)

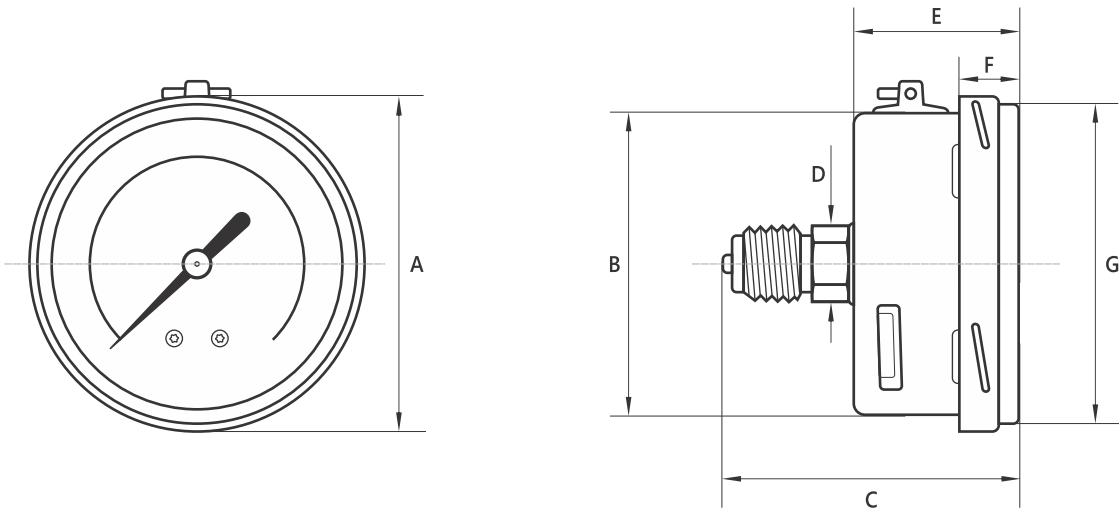
■ DS 63, 100 Bottom Connection



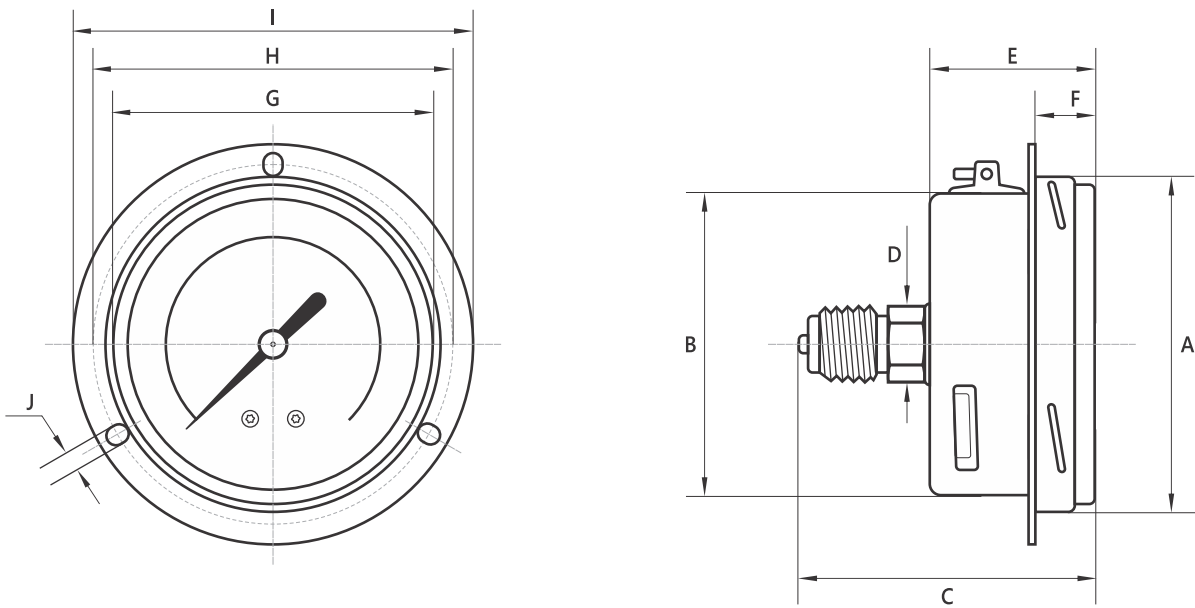
112ABL

Nominal Size	A	B	C	D	E	F	G	KG
63	69.3	62	92	14	33.5	12.2	67	0.24
100	108.6	99	139	22	42	15	105.8	0.63

■ DS 63, 100 Center Back Connection



■ DS 63, 100 Center Back Connection with Front Flange



112ABB

Nominal Size	A	B	C	D	E	F	G	H	I	J	KG
63	69.3	62	61	14	34	12.5	67	78	87.5	4.6 x 6.5	0.25
100	109	99	78.5	22	42	15	106	115	132.2	5.5 x 8	0.65

Thread Type	Code
NPT	N
BSPP (G)	B
BSPT	Z
Metric	M

Thread Size	Code
1/4	4
1/2	2
3/8	3
1/8	8
for metric sizes write the number	M20×1.5

How To Order

	Product Group Name	Model	Mounting	Nominal Size	Thread Type	Thread size	Scale Range	Options
Example:	Oil filled Pressure Gauge	112AB	L	63	B	4	0...16bar-psi	-

Or simply order by item number on the basis of your previous purchases.

InstruMate®

InstruMate Co, Limited

www.Instrumate.com | info@Instrumate.com