



1110FL63



1110FL50



Application

- ✓ Oxygen, dissolved acetylene and liquefied gases¹
- ✓ Welding and cutting
- ✓ Medical regulators

1. This gauge is not intended to be used in acetylene manufacturing plants.

✗ Do not use directly for medias that are viscous, crystallizing and corroding copper alloy

Special Features

- ✓ Special window material: scratch-resistant, break-resistant
- ✓ Full brass socket made from high quality brass bar
- ✓ Blow-out case design
- ✓ Following ISO 5171 standard

Description

InstruMate group of dry pressure gauges covers a series of dry pressure gauges used as utility and cost effective solutions.

InstruMate utility manometers benefit from the bourdon tube measuring system. InstruMate production process assures enough attention even for the most cost effective gauges.

Model 1110F, which is specially made for oxygen, has a blow-out function on backside of its case. In case of the rupture of the bourdon tube, this blow-out will act as a vent to allow safe escape of the gas.

InstruMate 1110F fulfills the requirements of ISO 5171. All components in contact with oxygen shall be free from substances that may react violently with oxygen under normal operating conditions, e.g. hydrocarbon-based solvents, oils, greases and detergents.

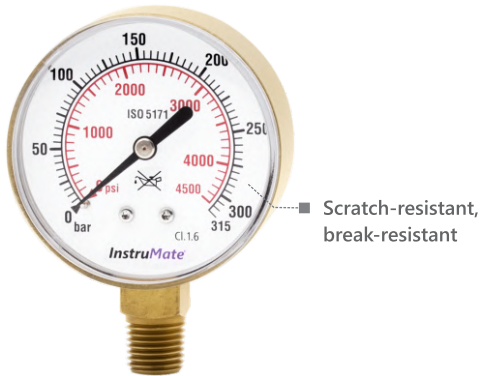
All InstruMate pressure gauges have geometrically balanced dial designs, thus a much easier reading experience.

Default Specification

Design		Nominal sizes in mm	
ISO 5171		40, 50, 63	
Process Connection			
Brass NS 40mm: G 1/8 NS 50mm: G 1/4 NS 63mm: G 1/4		Bottom connection: 111OFL	
Temperature Effect		Pressure Limitations	
± 0.04 x (t ₂ -t ₁) % of the span t ₁ is the Reference temperature in degrees celsius. t ₂ is the Ambient temperature in degrees celsius.		Steady: 75% of full scale Fluctuating: 65% of full scale Over-Pressure: 100% of full scale	
Oxygen Scale Range		Acetylene Scale Ranges	
Low pressures: 2.5, 4, 6, 10, 16, 25, 40 bar High pressure: 250, 315, 400 bar		Low pressures: 1, 1.6, 2.5 bar High pressure: 40 bar	
Accuracy		Permissible Temperature	
NS40 2.5% of full scale NS50, 63 1.6% of full scale		Ambient: -20...+60 °C Medium: +60 °C Maximum	
Pressure Element			
Copper alloy ¹			
Pressure units		Pointer	
bar/psi		Aluminum, Black	
Window		Dial	
Snap-in Lens, Scratch-Resistant		Aluminum	
Case		Movement	
Black steel (electrostatic), with blow out		Plated steel	

1. for acetylene manometers the maximum copper content used in pressure element is < 70%

111OFL63



111OFL50



Options

- ✓ Other pressure units
- ✓ Requested dial design
- ✓ Case color: Golden or Black
- ✓ Requested process connections other than stated in the table

Inlet orifice

The inlet orifice of InstruMate 111OF manometers is just 0.3mm which is better than the minimum requirements of the standard ISO 5171.

111OFL63



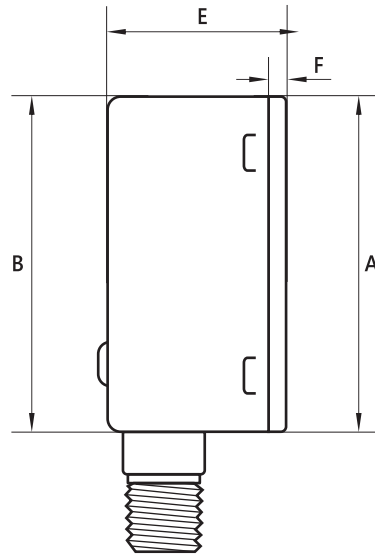
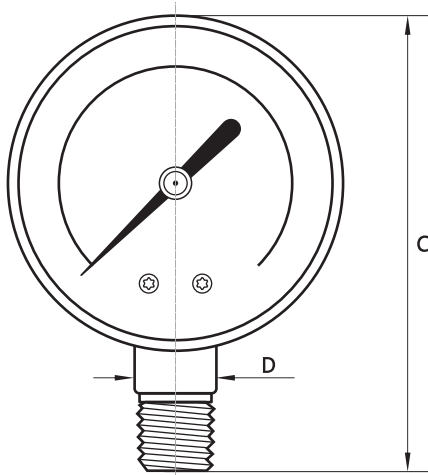
111OFL50



Restrictor dampener

Dimensions (in mm)

■ DS 40, 50, 63 Bottom Connection



111OFL

Nominal Size	A	B	C	D	E	F	KG
40	39	39	56	14	26	3	0.057
50	49	49	70	14	28.6	3.6	0.095
63	61	61	82	14	30	3.6	0.115

Thread Type	Code
NPT	N
BSPP (G)	B
BSPT	Z
Metric	M

Thread Size	Code
1/4	4
1/2	2
3/8	3
1/8	8
for metric sizes write the number	M20×1.5

How To Order

Product Group Name	Model	Mounting	Nominal Size	Thread Type	Thread size	Scale Range	Options
Example: Oxygen pressure gauge	111OF	L	63	B	4	0...315bar-psi	Golden case

Or simply order by item number on the basis of your previous purchases.

InstruMate®

InstruMate Co, Limited

www.Instrumate.com | info@Instrumate.com