



113AFB40



113AEB40



## Application

- ✓ Corroding gas and liquids
- ✓ Pneumatics
- ✓ Harsh or humid environments
- ✓ General purpose machineries
- ✗ Do not use directly for medias that are viscous, crystallizing and corroding stainless steel

## Special Features

- ✓ Special window material: scratch-resistant, break-resistant
- ✓ Minimal Case design
- ✓ Reliable stainless steel material for wetted parts and case

## Description

InstruMate model 113AF works well for measurement needs in harsh environments demanding excellent material but still seeking economy price.

This manometer with its minimal design has multitude of applications some of which are machine making and also failure alarm indicator on gas cylinders. However the gauge is non-fillable.

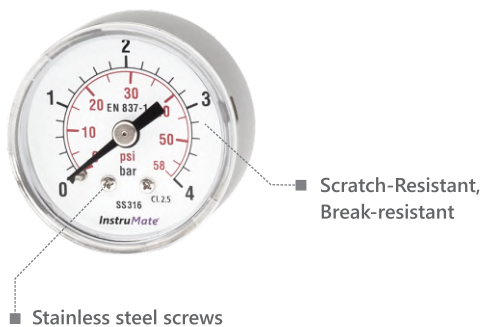
113AF has stainless steel 316 case and connection with a snap-in lens which is both scratch-resistant and break-resistant.

All InstruMate pressure gauges have geometrically balanced dial designs, thus a much easier reading experience.

## Default Specification

<b>Design</b>	<b>Nominal sizes in mm</b>
EN 837-1	40, 50
<b>Process Connection</b>	
SS316 NS 40: 1/8 NPT NS 50: 1/4 NPT	Bottom connection: 113AFL Center back connection: 113AFB
<b>Temperature Effect</b>	<b>Pressure Limitations</b>
$\pm 0.035 \times (t_2 - t_1) \%$ of the span $t_1$ is the Reference temperature in degrees celsius. $t_2$ is the Ambient temperature in degrees celsius.	Steady: 75% of full scale Fluctuating: 65% of full scale Over-Pressure: 100% of full scale
<b>Scale Range</b>	<b>Permissible Temperature</b>
0...1 bar to 600 bar Vacuum & compound ranges	Ambient: -30...+60 °C Medium: +95 °C Maximum
<b>Accuracy</b>	<b>Pressure Element</b>
NS 40: 2.5% of full scale NS 50: 1.6% of full scale	SS316
<b>Pressure units</b>	<b>Pointer</b>
bar/psi	Aluminum, Black
<b>Window</b>	
Snap-in lens, Break-resistant, Scratch-resistant	
<b>Ingress Protection</b>	<b>Dial</b>
IP54	Aluminum
<b>Case &amp; Wetted parts</b>	<b>Movement</b>
SS316, non-fillable design	Stainless steel

113AFB40



113AEB40



Options

- ✓ Other pressure units
- ✓ Requested dial design
- ✓ Requested process connections other than stated in the table

Variation

113AFB40



113AEB40



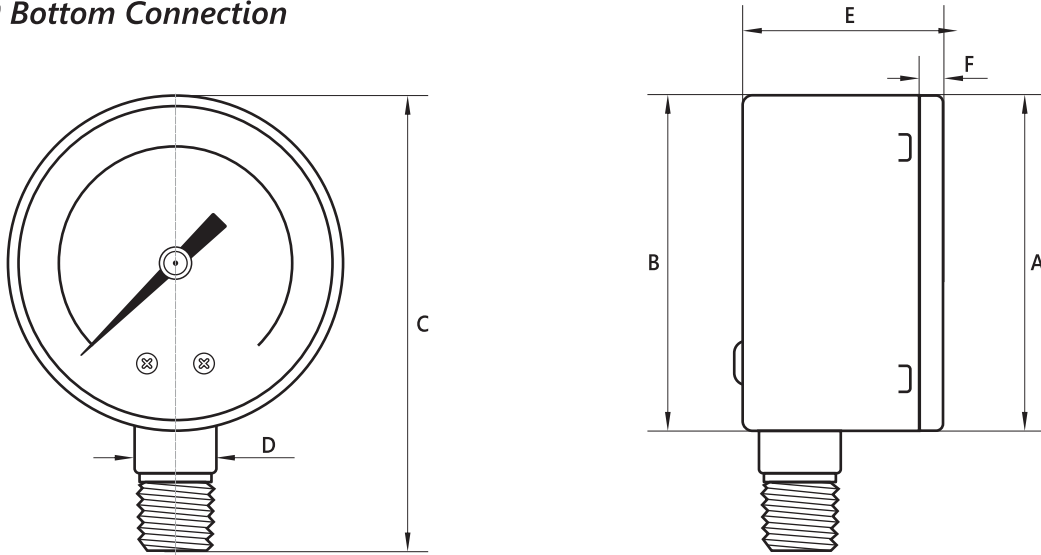
+



=

## Dimensions (in mm)

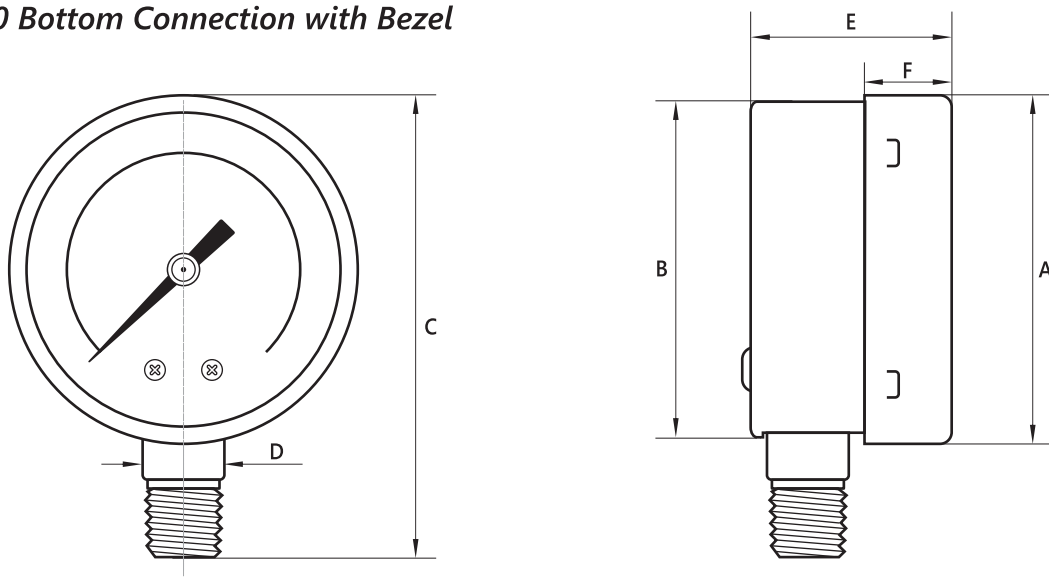
### ■ DS 40, 50 Bottom Connection



113AFL

Nominal Size	A	B	C	D	E	F	KG
40	41.5	41.5	58.5	11	25	2.5	0.056
50	49.5	49.5	71	14	27.5	3.5	0.095

### ■ DS 40, 50 Bottom Connection with Bezel

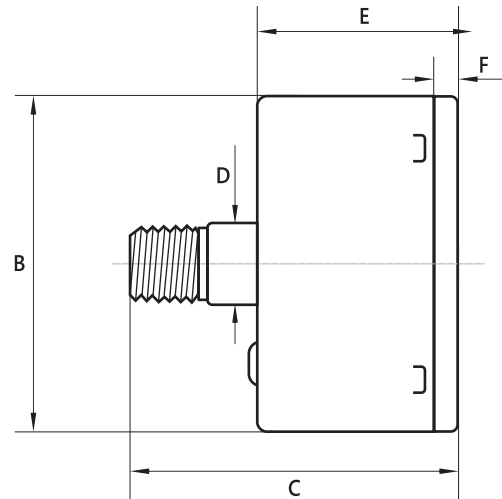
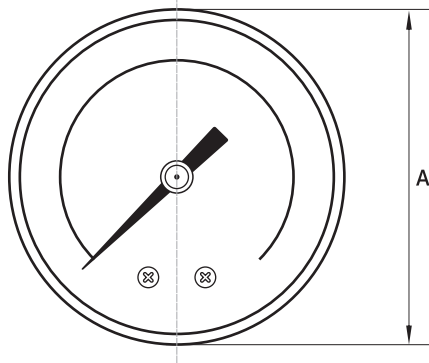


113AEL

Nominal Size	A	B	C	D	E	F	KG
40	43	41.5	59	11	25.5	10.5	0.062
50	51	49.5	71.5	14	29	12	0.1

Dimensions (in mm)

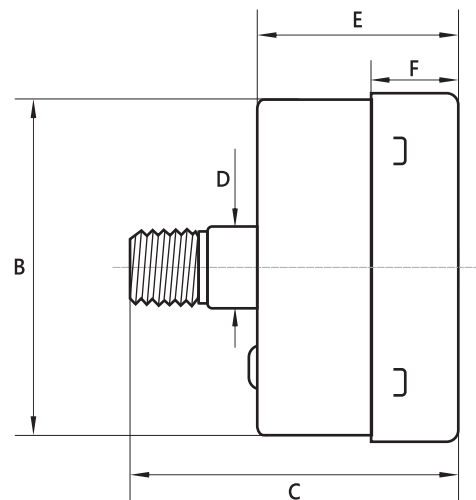
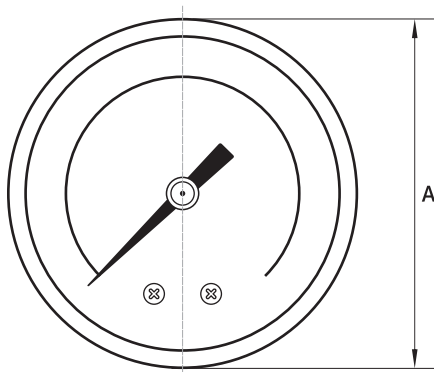
■ DS 40, 50 Center Back Connection



113AFB

Nominal Size	A	B	C	D	E	F	KG
40	41.5	41.5	42.5	11	25.5	2.5	0.059
50	49.5	49.5	48	14	27.5	3.5	0.094

■ DS 40, 50 Center Back Connection with bezel



113AEB

Nominal Size	A	B	C	D	E	F	KG
40	43	41.5	43	11	26	10	0.064
50	51	49.5	48.5	14	28	12	0.103

Thread Type	Code
NPT	N
BSPP (G)	B
BSPT	Z
Metric	M

Thread Size	Code
1/4	4
1/8	8
for metric sizes write the number	M20×1.5

## How To Order

	Product Group Name	Model	Mounting	Nominal Size	Thread Type	Thread size	Scale Range	Options
<b>Example:</b>	Compact Stainless Steel gauge	113AF	B	40	N	8	0...16bar-psi	-

Or simply order by item number on the basis of your previous purchases.

# InstruMate®

InstruMate Co, Limited

www.Instrumate.com | info@Instrumate.com