



## Application

- ✓ Places with space limitations
- ✓ High pressure capsules
- ✓ Air gun charging kits

✗ Do not use directly for medias that are viscous, crystallizing and corroding copper alloy

## Special Features

- ✓ Cost efficient choice
- ✓ Hexagonal body

✓ Special window material: break-resistant

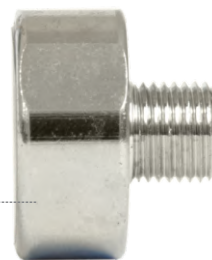
## Description

InstruMate Model 114mini is the very compact pressure gauge for applications with space constraints. They are suitable for measuring pressurized air, gas, water and oil or non-corrosive media.

Their hexagonal case design makes installation with a spanner very easy.

## Default Specification

Scale Range	Nominal size in mm
0...10 bar to 400 bar	25
Process Connection	Permissible Temperature
Brass G 1/8 Center back connection	Ambient: -20...+60 °C Medium: +65 °C Maximum
Temperature Effect	Pressure Limitations
$\pm 0.04 \times (t_2 - t_1)$ % of the span $t_1$ is the Reference temperature in degrees celsius. $t_2$ is the Ambient temperature in degrees celsius.	Steady: 75% of full scale Fluctuating: 65% of full scale Over-Pressure: 100% of full scale
Accuracy	Pressure Element
5% of full scale	Copper alloy C-type for $\leq 60$ bar      Helical for $> 60$ bar
Pressure units	Pointer
bar	Aluminum, yellow
Window	Dial
break-resistant plastic	Black aluminum with white letters
Case	Movement
Hexagonal case, Nickel plated, Not fillable	Spiral direct drive



Use spanner directly on case ■

## Options

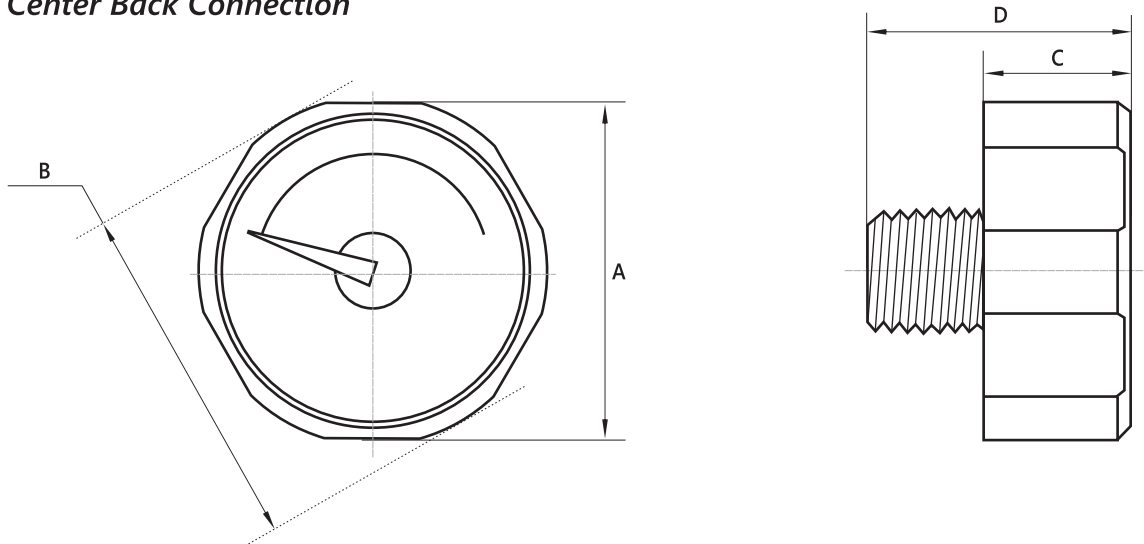
Requested process connection

Other pressure unit

Requested dial design

Dimensions (in mm)

■ Center Back Connection



Nominal Size	A	B	C	D	KG
25	24	25	11	20	0.024

Thread Type	Code
NPT	N
BSPP (G)	B

Thread Size	Code
1/8	8

How To Order

Product Group Name   Model   Thread Type   Thread size   Scale Range   Options

**Example:** Mini Pressure gauge   114mini   N   8   0...400bar   -

Or simply order by item number on the basis of your previous purchases.

**InstruMate®**

InstruMate Co, Limited

www.Instrumate.com | info@Instrumate.com