

Application

- ✓ Increase lifespan of pressure gauges
- ✓ Shut-off valve for low pressure gauges
- ✓ Push-button stop cock
- ✓ Gases and liquids not corroding copper alloy
- ✓ Propane, Butane, NG, and dry gases

Special Features

- ✓ PN4 for gases
- ✓ PN16 for liquids

Description

If the valve is not necessary to be read continuously, the InstruMate push button shut-off valve can come between the gauge and the measuring line. In this case, the gauge will read the pressure only if you push the button on this valve and right after you release it, the valve is closed again, and eventually gauge is depressurized.

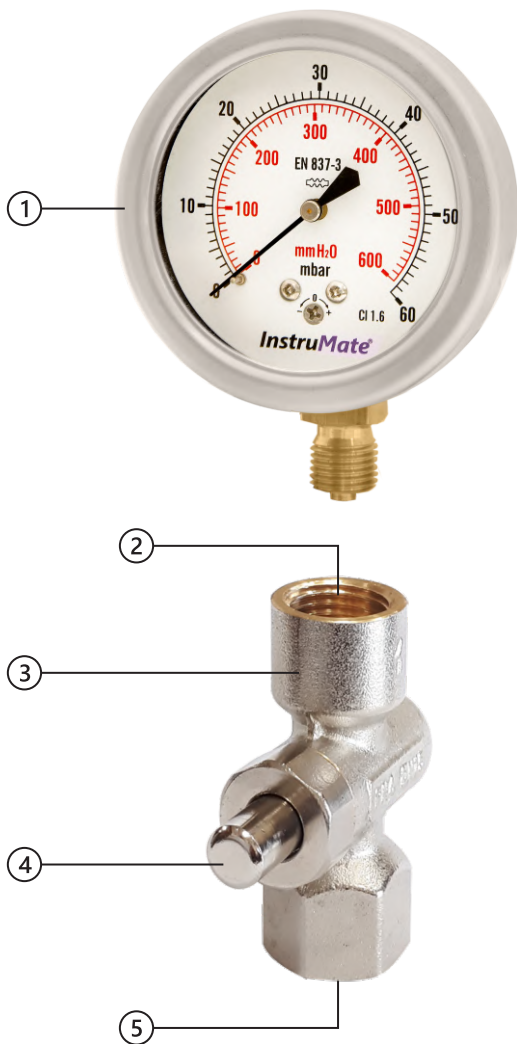
InstruMate 8103 finds its vast application together with low pressure capsule gauges. Push button model 8103 increases the lifespan of a pressure gauge.

Pay attention to the arrow on the casting. Media flow direction should match with this arrow. When installed with gas, make sure the sealing is perfect and there is no leakage.

Specification of the Standard Version

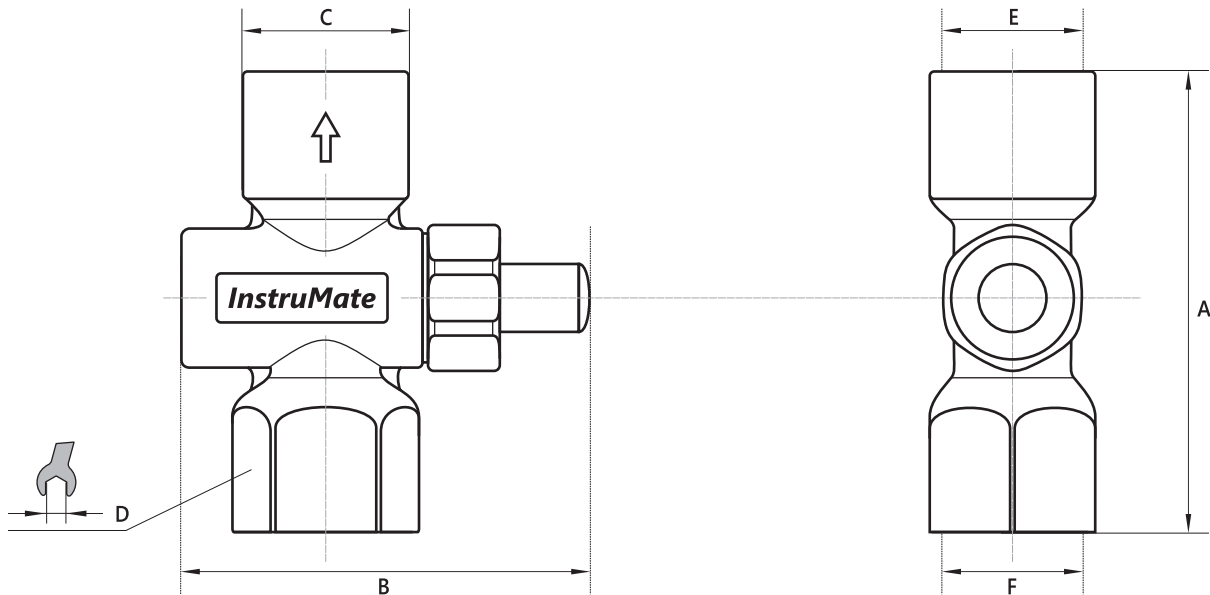
Body	Sealing
Brass, Nickel plated	NBR
Process Connection	Mounting
G ½ female x G ½ female	Vertical / Lateral
Permissible Pressure	Permissible Temperature
PN4 (gases) PN16 (liquids)	Storage: -30...+70°C Ambient: -20...+60°C Process: 0...120°C Max.

Mounting



- ① Pressure Gauge
- ② Instrument connection (G ½ female)
- ③ Push Button Valve
- ④ Push to read gauge pressure, and release to remove pressure from gauge
- ⑤ Pipe connection to gas line (G ½ female)

Dimensions (in mm)



E: Instrument connection

F: Process connection

A	B	C	D	E	F	KG
68	64	26	25	19	19	0.24

Female Thread Type	Code
NPT	N
BSPP (G)	B

Thread Size	Code
1/4	4
1/2	2

How To Order

Product Group Name	Model	Female Instrument connection	Female Process connection
Example: Push button	8103	B2	B2

Or simply order by item number on the basis of your previous purchases.

InstruMate®

InstruMate Co, Limited

www.Instrumate.com | info@Instrumate.com