



Application

- ✓ Operations demanding a higher level of safety requirement
- ✓ Harsh ambience and severe operation conditions
- ✓ Chemical and petrochemical processing industries
- ✓ Power plants, mining and offshore
- ✓ Couple with diaphragm seals
- ✗ Do not use directly for medias that are viscous or crystalizing

Special Features

- ✓ Shock resistant and accurate
- ✓ Safety version solid baffle wall in compliance with ASME B40.100
- ✓ Highly Resistant plastic case for best corrosion resistance

Description

InstruMate 113GS pressure gauge is offered with micro-adjustable pointer in standard version. This high safety pressure gauge is made in compliance with ASME B 40.100 standard. The solid front pressure gauge makes it the best choice for applications requiring safety measures for operator. In case of burst out of the bourdon tube, the blow out disk will open and media will be ejected from backside of the gauge.

The wetted parts of this accurate and durable safety pressure gauge is SS316. InstruMate 113GS is offered with filling option.

The special damping movement used in this pressure gauge ensures vibration resistance to some extent. For best practice, it is advised to fill the instrument in applications with harsh vibrations.

Default Specification

Design	Nominal sizes in inch
ASME B40.100	4 1/2
Process Connection	Ingress protection
As standard version 1/2 NPT Male	IP65
Temperature Effect	
$\pm 0.035 \times (t_2 - t_1)$ % of the span	
t_1 is the Reference temperature in degrees celsius.	t_2 is the Ambient temperature in degrees celsius.
Scale Range	Pressure Limitations (Heavy duty)
0...1 bar to 1000 bar Vacuum & compound ranges	Steady: 100% of full scale Fluctuating: 90% of full scale Over-pressure: 130% of full scale (short time)
Permissible Temperature	
Ambient: -20...+60°C (filled with glycerin) -35...+60°C (unfilled instrument)	Medium: ≤100°C (filled with glycerin) ≤220°C (unfilled instrument)
Pressure units	Pressure Element
Psi - single range (other pressure units available on request)	SS316 C-type for ≤ 60bar Helical for > 60bar
Pointer	Accuracy
Aluminum, Black Micro-adjustable pointer	1% - "1A" according to ASME B40.100
Window	Dial
Safety Glass	Aluminum
Case	Movement
Polybutylene terephthalate	Special vibration damping movement

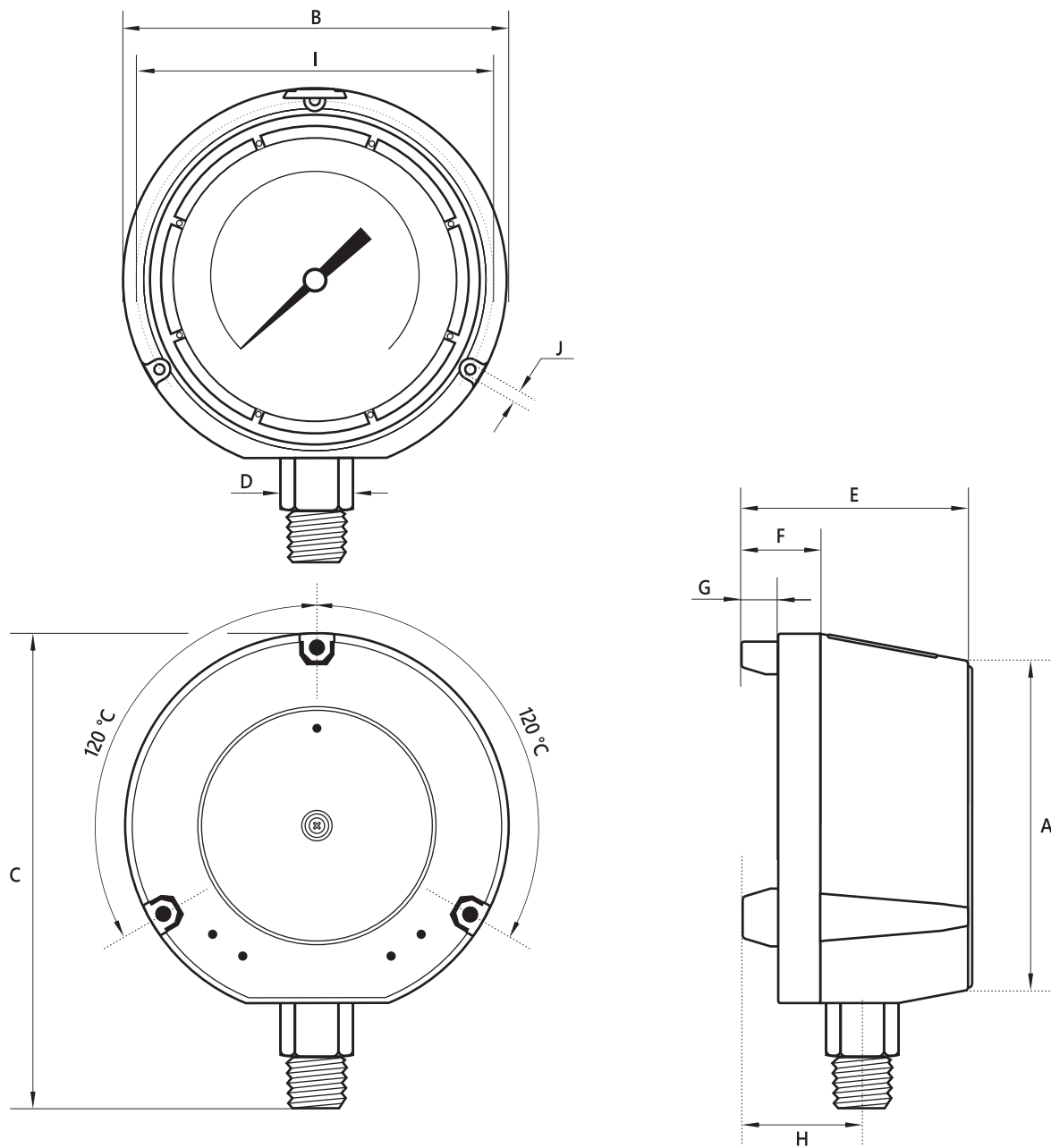


■ Highly resistant case with blow out function

Options

- ✓ Accuracy 0.5% - "2A" according to ASME B40.100
- ✓ Filled with glycerin or silicon
- ✓ Requested scale ranges
- ✓ In combination with InstruMate diaphragm seals
- ✓ Wetted parts made from copper alloy
- ✓ Other process connection

Dimensions (in mm)



Nominal Size	A	B	C	D	E	F	G	H	I	J	KG
11.43 cm	127	143	178.5	22	85	27	13	40	131.8	6.4	0.9

Thread Type	Code
NPT	N
BSPP (G)	B
BSPT	Z
Metric	M

Thread Size	Code
1/4	4
1/2	2
3/8	3
for metric sizes write the number	M20×1.5

How To Order

Product Group Name	Model	Thread Type	Thread size	Scale Range	Options
<i>E.g.</i> Solid Front Pressure Gauge	113GS	N	2	0...300 psi	filled with Glycerin

Or simply order by item number on the basis of your previous purchases.

InstruMate®

InstruMate Co, Limited

www.Instrumate.com | info@Instrumate.com