



## Application

- ✓ Pump monitoring
- ✓ Filter monitoring
- ✓ Level measurement
- ✓ Chemical and process engineering
- ✗ Do not use for medias that are highly viscous or crystallizing

## Special Features

- ✓ Static pressure up to 40 bar
- ✓ Robust all stainless steel design

## Description

Differential pressure gauge model 137 has a strong all stainless steel design to support your measurement application in severe conditions. It can cover wide differential pressure ranges from as low as 25 mbar to as high as 16 bar. The standard version has two 1/2 NPT female connections which can be changed simply by adding proper adaptors.

Over pressure safety is ensured in this instrument thanks to the all welded design and diaphragm element encasement.

Pay attention to connect the low pressure and high pressure lines to the correct entry carved on the instrument body by – and + symbols.

## Default Specification

Design	Nominal size in mm
DIN 16003	100
Temperature Effect	Permissible Temperature
$\pm 0.045 \times (t_2 - t_1)$ % of the span $t_1$ is the Reference temperature in degrees celsius. $t_2$ is the Ambient temperature in degrees celsius.	Ambient: -20...+60 °C (Glycerin) -40...+60 °C (silicon) Medium: -20...+100 °C
Process Connection	Pressure Limitations
Lower mount 2 x 1/2 NPT female	Steady: 100% of full scale Fluctuating: 85% of full scale
Pressure Element, Bellow, Wetted Parts	Ingress Protection
SS316L	IP65
Pressure units	Scale Range
mbar & bar	0...25 mbar to 16 bar
Pointer	Accuracy
Micro-Adjustable pointer	2.5%
Window	Dial
Safety Glass	Aluminum
Case	Movement
SS304, S1 per EN837-1	Stainless Steel

## Options

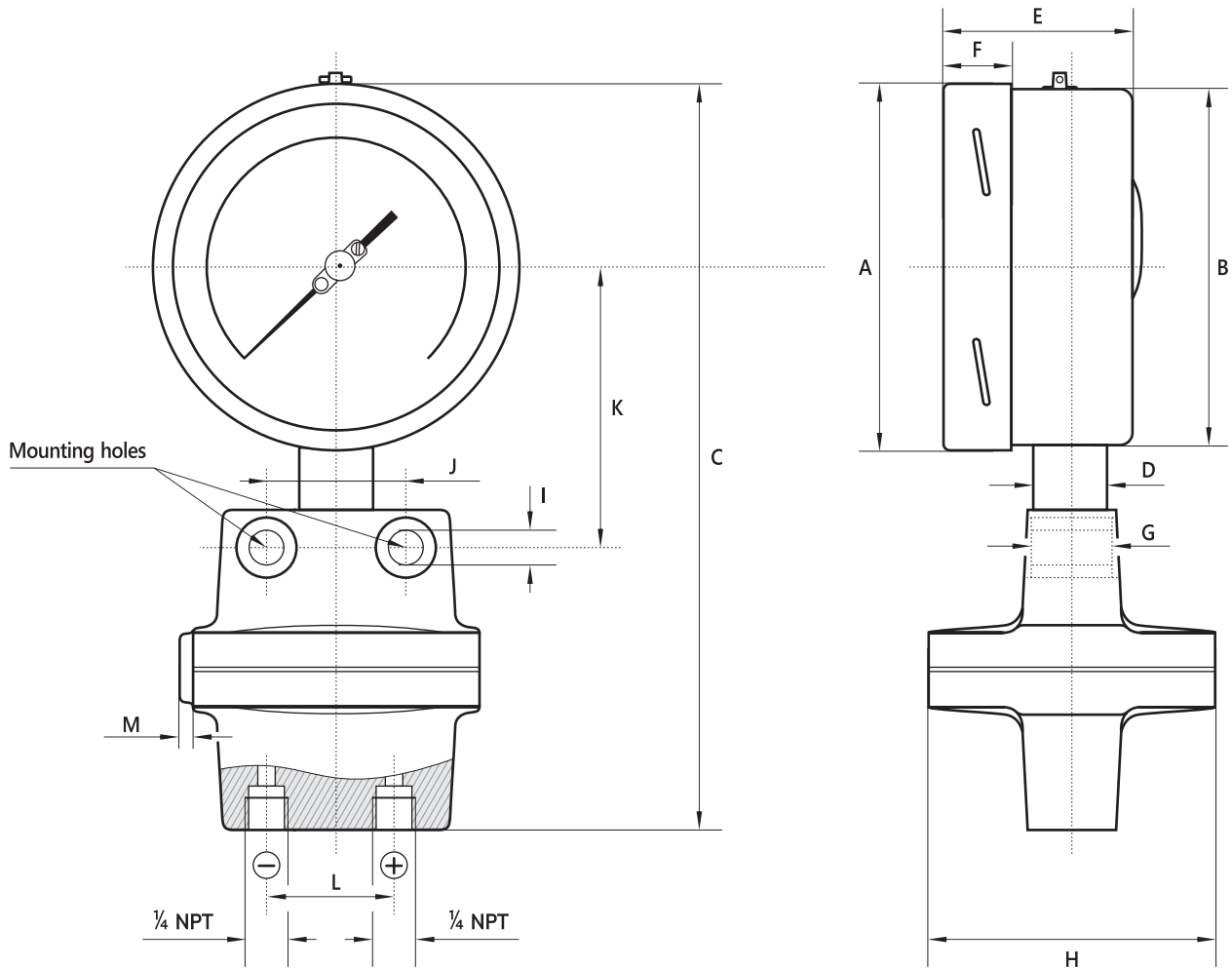
- ✓ Requested process connections
- ✓ Scale design per request
- ✓ Accuracy class 1.6%
- ✓ Other pressure units available on request

## Overload safety and maximum working pressure

Scale ranges	Overload safety in either side (bar)	Maximum static pressure (bar)
0...25 mbar to 40 mbar	2	4
0...60 mbar to 250 mbar	2.5	6
0...400 mbar to 600 mbar	4	25
0...1 bar	6	40
0... 1.6 bar	10	40
0...2.5 bar to 16 bar	20	40

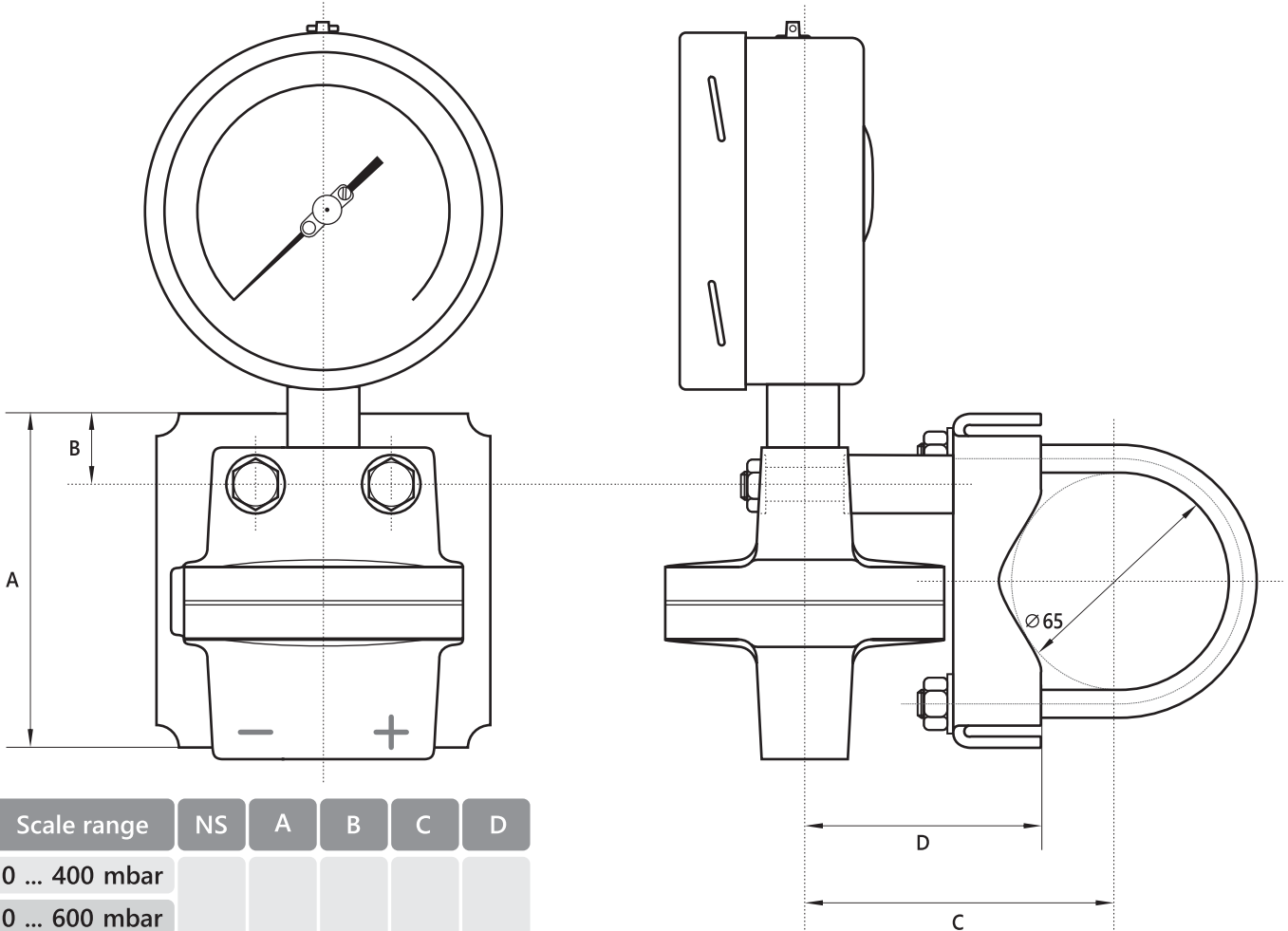
\* Exceeding the overload safety pressure will cause the instrument to require recalibration and adjustments.

Dimensions (in mm)



Scale range	NS	A	B	C	D	E	F	G	H	I	J	K	L	M	KG
0 ... 400 mbar															
0 ... 600 mbar															
0 ... 1 bar															
0 ... 1.6 bar	100	101	99	212.5	22	49.5	16.5	23	75	8.5	37	80	37	4	1.848
0 ... 2.5 bar															
0 ... 4 bar				211.5				25	90						2.440
0 ... 10 bar															

## ■ Mounting bracket for wall or pipe mounting



Scale range	NS	A	B	C	D
0 ... 400 mbar					
0 ... 600 mbar					
0 ... 1 bar					
0 ... 1.6 bar	100	95	20.5	88	66
0 ... 2.5 bar					
0 ... 4 bar				118	96
0 ... 10 bar					

### How To Order

	Product Group Name	Model	Scale Range	Process Connection	Options
<b>Example:</b>	Differ-Mate	137	0...600 mbar	¼ NPT female x 2	-

Or simply order by item number on the basis of your previous purchases.

# InstruMate®

InstruMate Co, Limited

www.Instrumate.com | info@Instrumate.com